

1

2

3

4

A

A

B

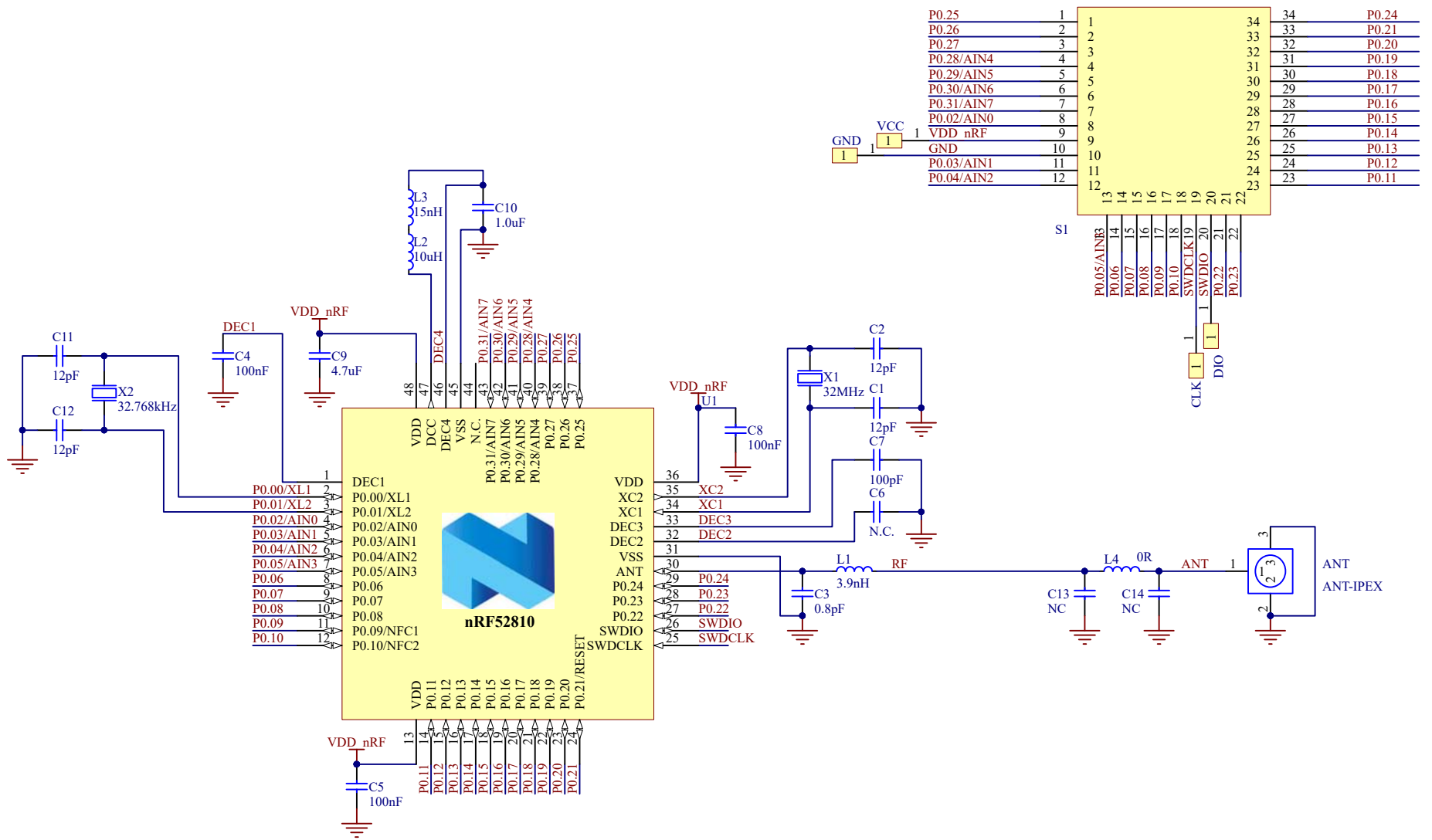
B

C

C

D

D



P0.25	1	34	P0.24
P0.26	2	33	P0.21
P0.27	3	32	P0.20
P0.28/AIN4	4	31	P0.19
P0.29/AIN5	5	30	P0.18
P0.30/AIN6	6	29	P0.17
P0.31/AIN7	7	28	P0.16
P0.02/AIN0	8	27	P0.15
VDD_nRF	9	26	P0.14
GND	10	25	P0.13
P0.03/AIN1	11	24	P0.12
P0.04/AIN2	12	23	P0.11

MOKO		Drawing by		Sky	
Product Name		MKBN05			
Schematic Name		MK05B			
Revision	Ver.1.1	Page	1/1	Date	20200711
Auditing by		Authorize by			