



MOKO Bluetooth Gateway Plug (MK106)

Datasheet

Contents

1. Product Introduction	01
1.1 Key Features	01
1.2 Applications	01
2. Physical Characteristics	02
3. Technology Parameters	02
4. Indicator & Button Status	03
5. Dimensions	04
6. Revision History	04

1. Product Introduction

MK106 is a small Bluetooth gateway plug that integrates **WIFI** and **Bluetooth Low Energy** technology. Its communication protocol is based on MQTT 3.1.1, can access to multiple MQTT servers such as standard MQTT broker, Ali IOT and AWS cloud server.

MK106 gateway is suitable for type I socket, and easy for installation. The plug works as a BLE scanner to gather Bluetooth broadcast data of BLE device nearby, and upload these data frames to MQTT server through 2.4GHz WIFI. It is mainly used for position tracking and BLE sensors monitoring.

1.1 Key Features

- Built-in ESP32 module and MOKO standard firmware
- Above 100 meters Bluetooth scanning range in open space
- 150 Bluetooth frames scanned per second
- 100 meters WIFI connection range
- Multi-color LED indicates device working status
- Firmware update over the air (OTA)
- Supports multiple MQTT servers connection such as MQTT broker, AWS IOT, and Ali IOT
- Supports Android & IOS APP SDK for APP development
- Schematic diagrams are available for customers to develop firmware
- Australian approval standard: AS/NZS 3112:2017; AS/NZS 3122:2015; AS/NZS 3100:2017; AS/NZS CISPR 32:2015; AS/NZS4268:2017; AS/NZS2772.2

1.2 Applications

- Location tracking in room
- Health/fitness monitoring in hospital
- Environmental monitoring
- Temperature sensor monitoring
- Beacon & BLE Sensor & BLE device raw data gathering

2. Physical Characteristics

NO.	Item	Remarks
1	Wireless technology	WIFI& Bluetooth
2	Input voltage	100VAC-240VAC, 50/60HZ
3	Output voltage	100VAC-240VAC
4	Max load	10A, 2400W, continuous load
5	Operation temperature	0 °C~ 40 °C (32°F ~ 104°F)
6	Plug type	Type I
7	Certification	SAA&RCM (In progress)

3. Technology Parameters

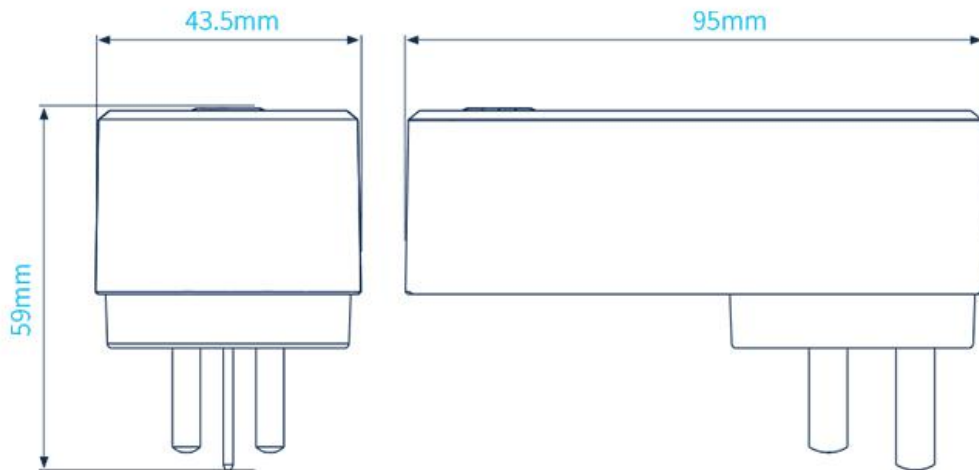
NO.	Item	Remarks
Hardware	MCU	ESP32
Software	Communication protocol	MQTT V3.1.1
	Firmware	Built-in MOKO standard firmware, also provide schematic diagram for customers to develop firmware
	APP configuration	MokoScanner APP available for IOS & Android, also provide APP SDK for customers to develop their own APP
WIFI specification	Frequency	2.4GHz-2.5Ghz (2400MHz-2483.5MHz)
	Protocol	802.11b/g/n
	Coverage	100 meters in open space
	Encryption mode	OPEN/WEP/WPA_PSK/WPA2_PSK/WPA_WPA2_PSK
	Transmission power	13dB@802.11n; 18.5dB@802.11b

Bluetooth specification	Bluetooth standard	Bluetooth 4.2
	Max scanning range	Above 100 meters in open space
	Scanning rate	150 times/s(150 Bluetooth frames per second)
	Max scanning capacity	100 BLE devices max
	Receiving sensitivity	-97dB

4. Indicator & Button Status

Item	Indicator status	Operation
Factory reset	Flash green and blue alternately once	Press and hold the button for 10s to trigger reset, after reset successful, Bluetooth will be OFF
Bluetooth OFF	LED off	
Bluetooth advertising	Flash green	When Bluetooth is OFF, click the button to turn ON the device Bluetooth
Bluetooth connected	Solid green	APP is connected to device Bluetooth
Network connection	Flash blue	Device is connecting to router and server
Network connected	Solid blue	Device has connected to router and server
OTA upgrading	Flash green	To indicate OTA process
OTA successful	Solid green	To indicate OTA successful
OTA failed	Solid red	To indicate OTA failed

5. Dimensions




Dimensions (Length x Width x Height):
95mm x 43.5mm x 59mm


6. Revision History

Revision	Description	Editor	Date
V1.0	Initial Release	Weiguifen	2020.10.30

MOKO TECHNOLOGY LTD.

 4F, Building2, Guanghui Technology Park,
 MinQing Rd, Longhua, Shenzhen, Guangdong, China

 Tel: 86-755-23573370-829

 sales@mokosmart.com

 <https://www.mokosmart.com>

