



M4 Lite Tag

Thin, Lite and Unobtrusive !

The M4 Lite Tag is a small form factor BLE tag. With breakthroughs in cost, dimensions and sustainability, this tag shall be the best choice for medical equipment tracking, shopping cart tracking or other asset tracking in various scenarios.

Also, M4 Lite Tag has an extremely transmission distance of up to 400 meters based on BLE 5.0 coded PHY settings, thus providing the huge possibility to expand tracking range and reduce the deployment costs of receiver.



MOKO SMART

What are the benefits of M4?



Ultra-thin design

Ultra compact design makes it possible to be attached in different shapes of assets.



Replaceable battery

Universal replaceable coin cell battery design makes it easy to maintain and extend lifespan.



Versatile installation

Compatible with zip tie or double-sided tape, to adjust and expand different application scenarios.



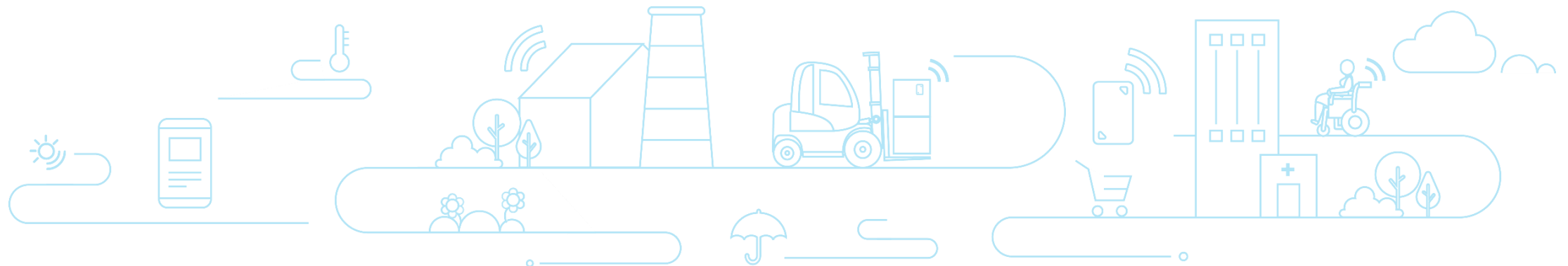
Ultra-Long transmission range

Up to 400 meters broadcasting distance in BLE 5.0 long range mode makes it easy to monitor/track the presence of assets in a wide range.



Wide temperature range

Outstanding PC housing material to extend wider working temperature range in $-20^{\circ}\text{C} \sim 60^{\circ}\text{C}$.



What are the features of M4?



Periodic or Movement-based

Configure parameters to send updates based on set time intervals or when movement occurs.



Flexible tracking mode

Adaptive tracking mode increases the update rate to provide details when device in move, while just maintain the heartbeat when stationary.



Trigger event counting

Movement trigger event records make it visible to analyze the medical equipment usage frequency and optimize equipment utilization.



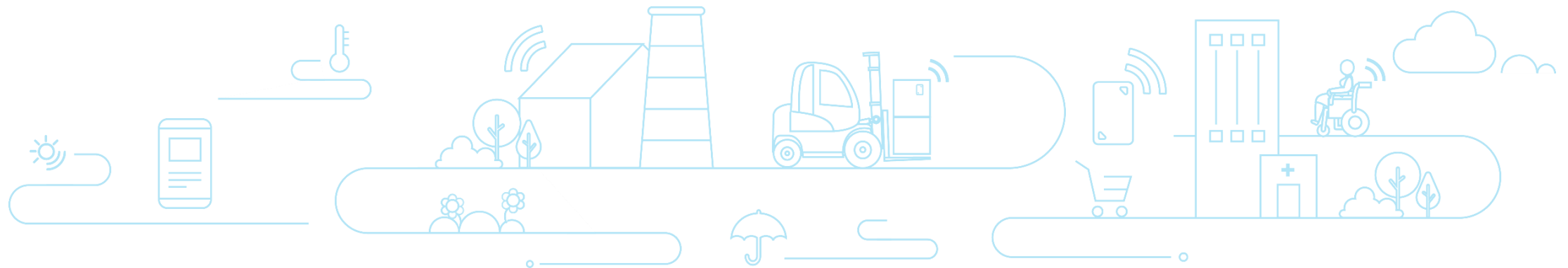
Ultra Long broadcasting interval

Wider configurable range (100ms to 12 hours) of advertising interval makes it easier to extend battery lifespan in asset presence detection application scenarios.



Intelligent power management

Sense and switch intelligently between advertising mode and sleep mode based on built-in accelerometer sensor.



What are the applications of M4?



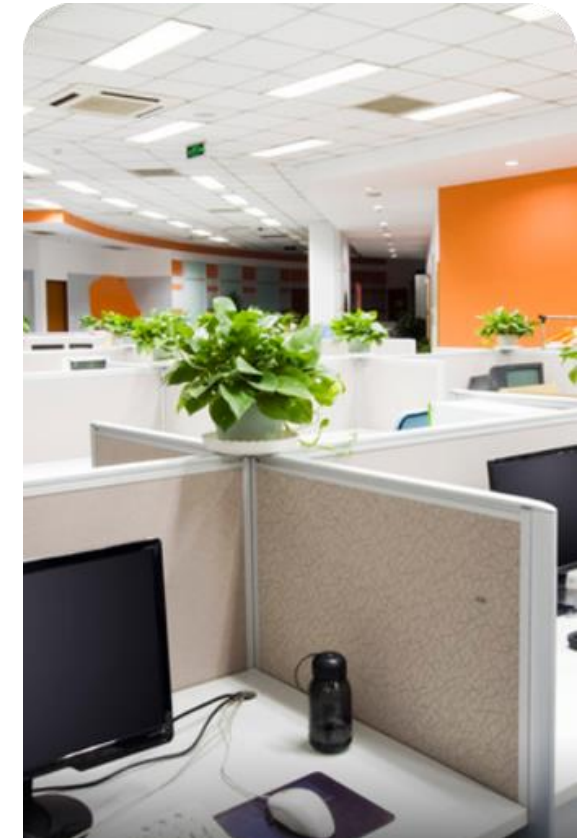
Healthcare

- Medical equipment usage frequency monitoring
- Asset theft prevention
- Faster positioning of medical equipment in emergency.
- Automate inventory counts



Retail & Entertainment

- Shopping cart tracking and real-time queue prediction
- Proximity promotion
- Reliable shoplifting prevention



Smart Office

- Office Furniture & Equipment tracking (Desks, Chairs, Photocopiers)
- Asset presence detection for theft prevention
- Automate inventory counts

Multiple Installation Styles



① Zip tie



② Double-sided tape

Main Specifications

Dimensions

36.5*23.5*5.2mm

Built-in Sensor

Accelerometer sensor

Battery

Coin cell battery CR2032
220mAh | Replaceable

Advertising Interval

100ms – 12hours

LED

Red

Advertisement Frame

Apple – iBeacon
Eddystone – URL, UID, TLM
Customized – Tag info

Connectivity

BLE 5.0

Installation Styles

Sticker | Zip tie

Battery Lifespan

1 year (Location tracking mode^①)
4 years (Presence monitoring mode^②)

Transmission Range^③

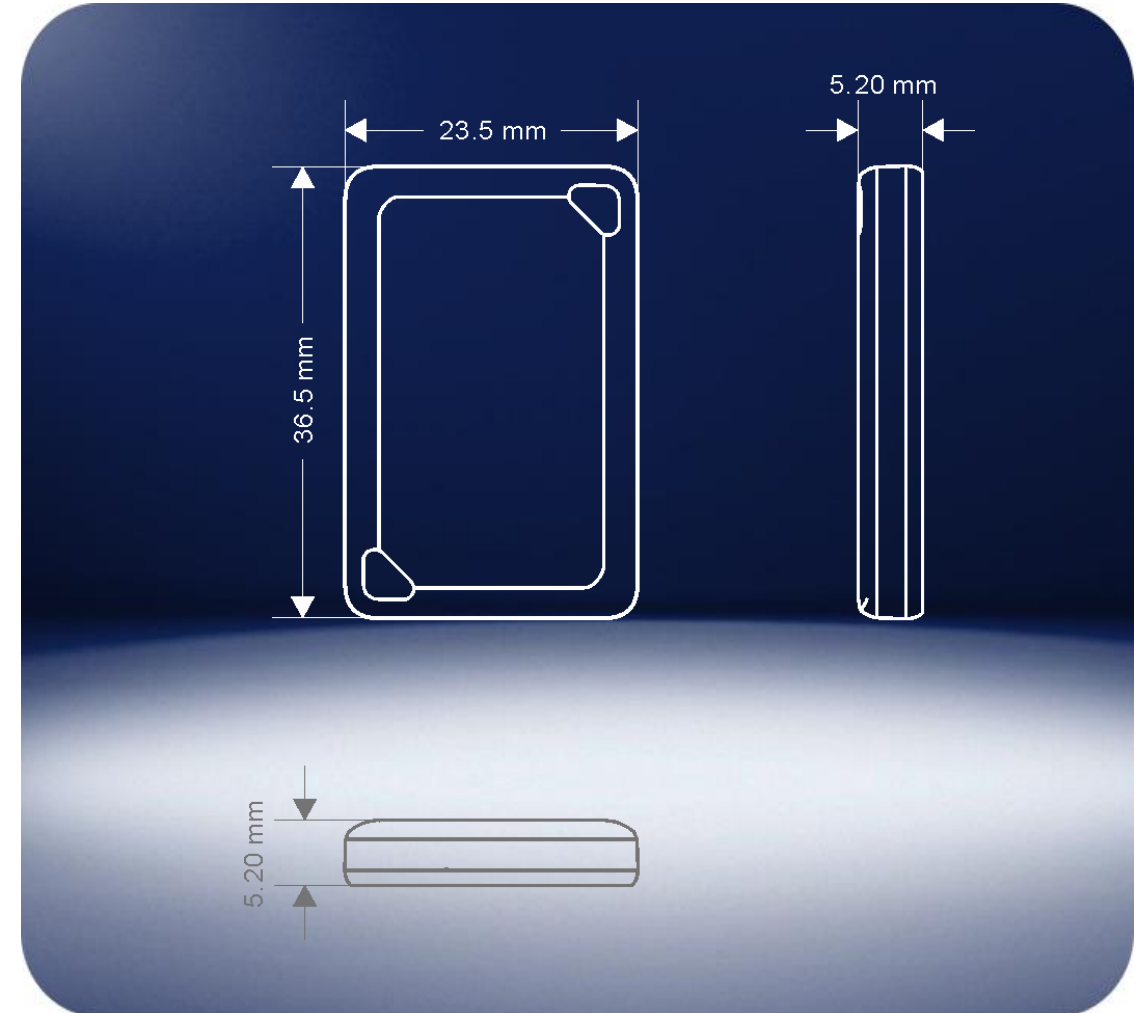
Up to 160m – 1M PHY (Legacy)
Up to 400m – Coded PHY (Long range)

Color

White

Certification

FCC | CE | RoHS | REACH | Bluetooth



① Adv interval – 1000ms, Standby duration – 0, Tx Power – 0dBm, without accelerometer sensor.

② Adv interval – 1000ms, Standby duration – 8H, Adv duration – 10s, Tx Power – 0dBm, without accelerometer sensor.

③ Transmission range tested in the open area and no obstacles in the route.

What customization services can we provide?



PCB re-layout design

Support customers in making hardware changes to accommodate mechanical design or functional requirements.



Firmware/APP customization

Assist customers in customizing the Firmware/APP to meet full compatibility of different end-users' requirements.



Logo/Packaging design

Offer customized packaging solution and logo design to meet customer's uniform requirements.



Product ID customization

We can set the Product ID according to customers' requirements to fit for different scenarios use.



Firmware verification

Offer professional engineer team to test and verify the functionality of customer's developed Firmware.



Pre-configuration service

Support customers to pre-config required parameters in Beacon during mass production.



MOKO SMART

MOKO TECHNOLOGY LTD.

Address: 4F, Buidling 2, Guanghui Technology Park, MinQing Rd, Longhua,
Shenzhen, Guangdong, China

E-mail: Support_BLE@mokotechnology.com

Website: www.mokosmart.com

www.mokoblue.com